



MADE IN
CANADA

Enviro·b@x

Load Line Containment Solutions

What is an Enviro-Box?

An Enviro-box or a Truck-out Box is a specialty spill catch basin that safely captures hazardous fluid leaks, drips and spills at fluid transfer hose connections and suction lines.

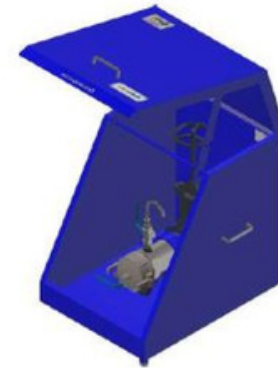
Enviro-boxes protect both personnel and the environment.

We fabricate secure Enviro-boxes that can be installed anywhere there is connecting or disconnecting of the truck in/out and suction lines.

Specifically, where hazardous fluids can be found.

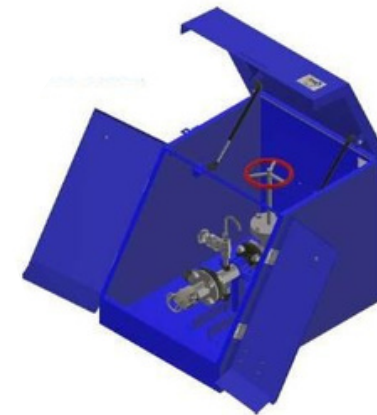
Such examples include, but are not limited to, hydrochloric acid, nitrogen, caustic soda, sour water, condensate and corrosive hydrocarbons, or anywhere a potential leak can occur at a truck-out connection.

Model Selection



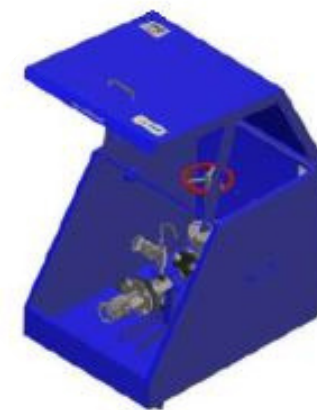
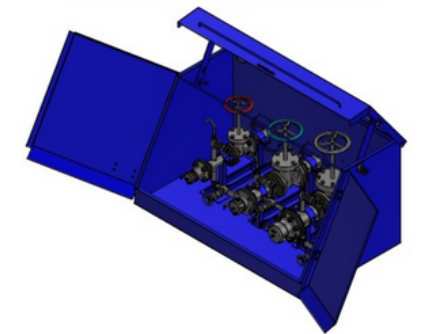
SELECT

Threaded Connections



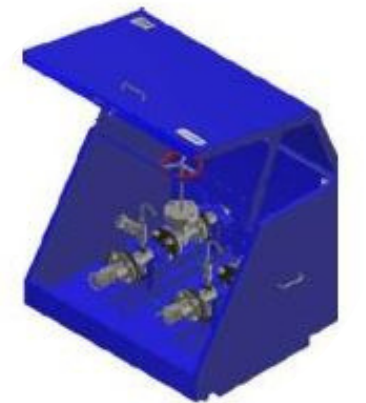
CROWN

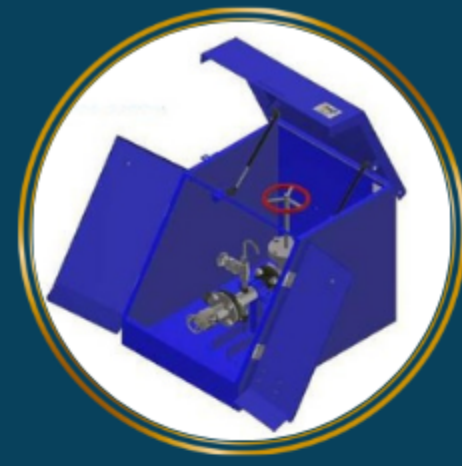
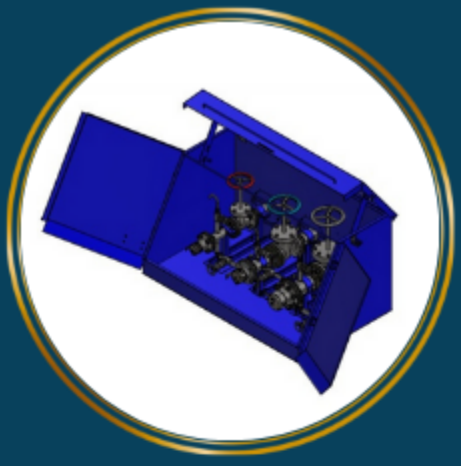
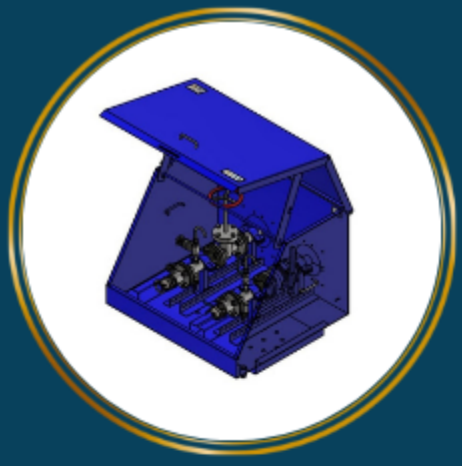
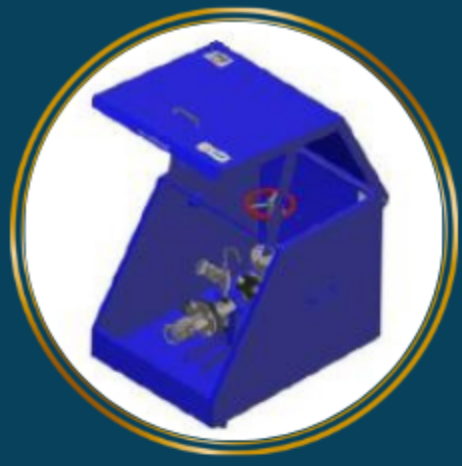
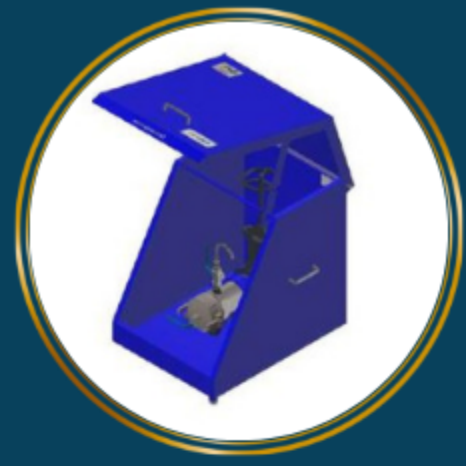
Flanged Connections
French Doors
Single or Triple



PREMIUM

Flanged Connections
Gull-Wing Lid
Single or Double





SELECT

PREMIUM

DOUBLE PREMIUM

TRIPLE CROWN

CROWN

Threaded Connections



Flanged Connections



French Doors



Gull-Wing Lid



2, 3, or 4 NPS Spool Assembly



Isolation Valve (Ball /Gate)



3/4" Drain & 1/2" Purge Valves



3/4" Sump Drain



Camlock (Male/Female)



Lockable Lid & Grounding Lugs



Universal Mounting Base



24 Hour Leak Test



Customization Available



Gas-Lifting Cylinders on Lid



STOCK

Ships within 24 hours

The SELECT Model

Threaded Connections

1

Spool NPS:
2 Inch, 3 Inch, or 4 Inch
Carbon Steel

2

Enclosure Material:
Powder Coated
Carbon Steel

3

Isolation Valve Options:
Threaded CS Clip Gate or
Threaded CS Ball Valve

4

Back Connection Options:
ANSI 150, ANSI 300, ANSI
600, Threaded Nipple

5

Camlock Style:
Male or Female

6

Camlock Material:
Aluminum or
Stainless Steel

7

Documentation & Testing
Standard GA, MTR for Pipe
& Fittings, 24-hr Leak test

8

Options & Accessories:
Stand with Adjustable Legs
10', 20', 30' or 40'
Grounding Cable



The CROWN Model

Flanged Connections / French Doors

Available as Crown, or Triple Crown

Enclosure Options

Material:
Powder Coated Carbon Steel
Stainless Steel
Insulated Carbon Steel – Painted
Exterior & Interior Coatings Upon Request

Style: Single or Triple

Lockable – Standard

Grounding – Standard

Spool Assembly Options

NPS: 2" 3 4 or Custom

Material: Carbon Steel, Low-Temp Carbon Steel, Stainless Steel, PTFE, PVDF, or PP – Lined Carbon Steel, other Alloys .

Special Coatings are also available upon request.

Isolation Valve: Flanged Gate or Flanged Ball Valve

Back Connection: ANSI 150 Flange, ANSI 300 Flange, ANSI 600 Flange, or Threaded Nipple

Camlock Options

Male or Female

Material: Aluminum, Stainless Steel, PFA-Lined Steel

Dry Disconnects (Camlock alternative)

Documentation & Testing

Standard Documentation: MTR for pipe, fittings and valves, CRN for fittings & valves, job specific general arrangement drawing

Standard Testing: 24-hour leak test for containment, 10-minute hydro test

Additional testing & documentation available upon customer request

Options & Accessories

Stand with Adjustable Legs

10', 20', 30' or 40' Grounding Cable

Camlock Safety Device

Safety Breakaway



Premium Models

Flanged Connections / Gull-wing Lid / Manual Lifting Arms

Available as Premium, or Double Premium

Enclosure Options

Material:

Powder Coated Carbon Steel

Stainless Steel

Insulated Carbon Steel – Painted

Exterior & Interior Coatings Upon Request

Style: Single or Double

Lockable – Standard

Grounding – Standard

Spool Assembly Options

NPS: 2, 3" 4" or Custom

Material: Carbon Steel, Low-Temp Carbon Steel, Stainless Steel, PTFE, PVDF, or PP – Lined Carbon Steel, other Alloys . Special Coating also available upon request.

Isolation Valve: Flanged Gate or Flanged Ball Valve

Back Connection: ANSI 150 Flange, ANSI 300 Flange, ANSI 600 Flange, or Threaded Nipple

Camlock Options

Male or Female

Material: Aluminum, Stainless Steel, PFA-Lined Steel

Dry Disconnects (Camlock alternative)

Documentation & Testing

Standard Documentation: MTR for pipe, fittings and valves, CRN for fittings & valves, job specific general arrangement drawing

Standard testing: 24-hour leak test for containment, 10-minute hydro test

Additional testing & documentation available upon customer request

Options & Accessories

Stand with Adjustable Legs

10', 20', 30' or 40' Grounding Cable

Camlock Safety Device

Safety Breakaway



DOCUMENTATION & TESTING OPTIONS



GENERAL ARRANGEMENT DRAWINGS

MATERIAL TEST REPORTS (MTR)

NON-DESTRUCTIVE EXAMINATION (NDE)

HYDRO-STATIC RECORD

PRESSURE PIPING CONSTRUCTION & TEST DATA REPORT

CANADIAN REGISTRATION NUMBERS (CRN)

AB83 / AB83F

CERTIFICATE OF CONFORMANCE

POST WELD HEAT TRACE (PWHT)

MPI/GAP



LEAK TESTED & SERIALIZED

Zero is Good for the Environment

We can take additional measures to ensure zero spills at your fluid transfer sites. Dry Disconnects and Safety Breakaways minimize the risk of spills for hazardous fluids, ensuring low/no spillage while disconnecting hoses, and by minimizing damage and spillage should the driver pull away without disconnecting the hose/coupling.

These can be added to your Enviro-box independently or together to ensure maximum safety and protection for your facility and staff.



**Alberta, British Columbia, Manitoba,
Nunavut, Northwest Territories, Saskatchewan, Yukon Territories**

Calgary: (403) 720-0555

Edmonton: (780) 453-3886

Toll-Free: 1 (800) 720-5006

Email: sales@spswest.com

Address: 10 – 4797 22 ST SE, Calgary, AB, Canada T2B 0N8

Quebec, New Brunswick, Prince Edward Island, Nova Scotia

Contact: Ken Currie

Direct: (514) 333-9070

Email: kcurrie@spsquebec.com

<https://www.spsquebec.ca/>

Address: 2686 Chemin de la Petite-Cote, Laval, QC, Canada H7L 5Z7

Ontario (excluding Sarnia)

Contact: Spencer Felton

Direct: (519) 336-8820 x 224

Cell: (519) 464-6430

Email: sfelton@spssales.com

<https://www.spssales.com/contactus>

Address: 765 Evett ST, Sarnia, ON, Canada N7S 5N3

Sarnia

Contact: Eko Poort

Direct: (519) 336-8820 x 228

Cell: (519) 331-0200

Email: eko@spssales.com

<https://www.spssales.com/contactus>

Address: 765 Evett ST, Sarnia, ON, Canada N7S 5N3



WHERE TO BUY